

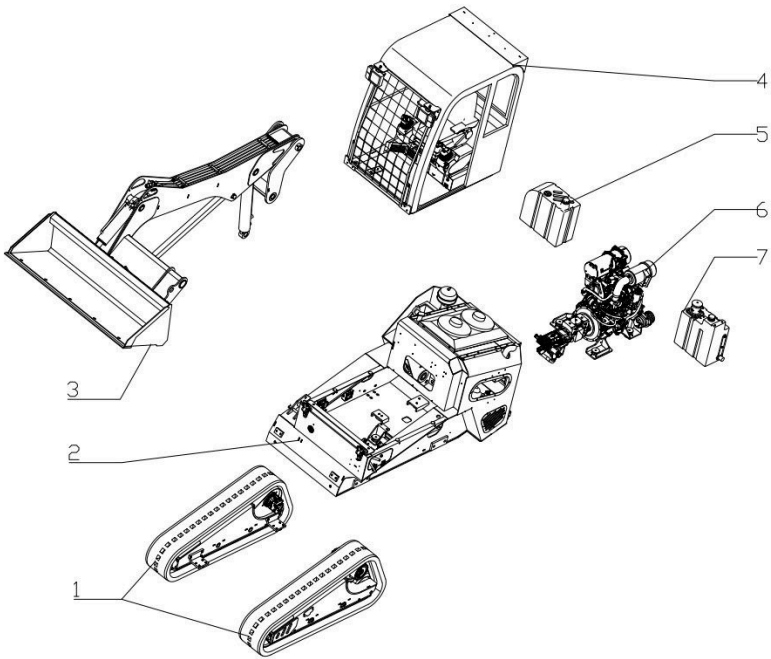
CONTENTS

No.	Description	Page
1、	Vehicle explosion pattern.....	1
2、	RS 20 working device.....	3
3、	RS 20 Frame.....	5
4、	RS 20 Engine.....	9
5、	RS 20 Cockpit.....	12
6、	RS 20 Body walking device.....	14
7、	RS 20 Bucket cylinder.....	15
8、	RS 20 Boom cylinder.....	16
9、	RS 20 Fuel Tank Assembly.....	17
10、	RS 20 Hydraulic Oil Tank Assembly.....	18
11、	RS 20 Rear Guard Assembly.....	19
12、	RS 20 Cooling air intake system.....	20
13、	RS 20 Envelope diagram.....	22



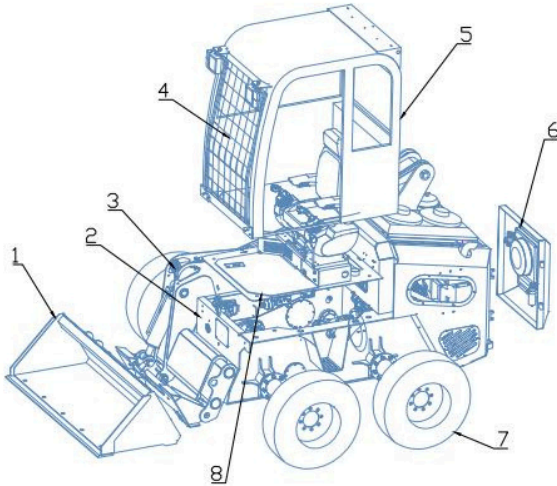
WWW.RIPPAOFFICIAL.IT

1、 Vehicle explosion pattern



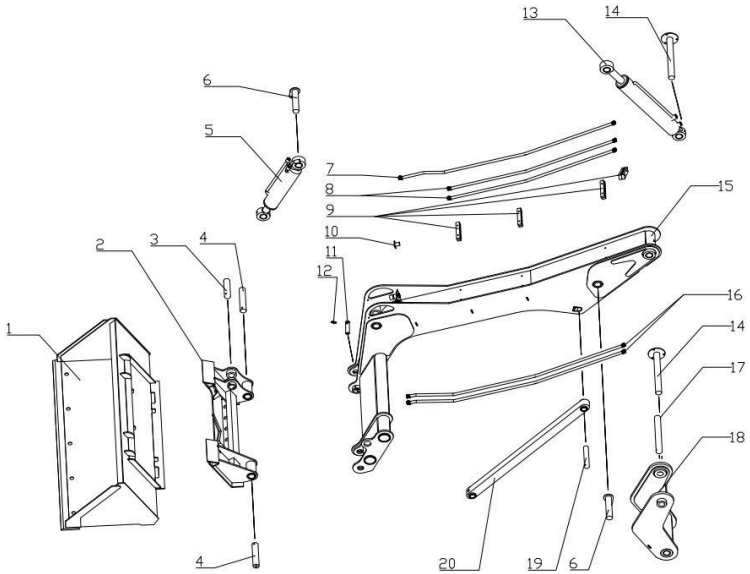
REF NO.	Part NO .	Name	Q/TY	REMARKS
1	LP0102110002	Track Assembly	1	
2	LP0605010081	Frame	1	
3	LP0605010034	Work Equipment	1	
4	LP0119020191	Cabinet assembly	1	
5	LP0115040069	Plastic Diesel Fuel Tank	1	
6	LP0103030008	Engine	1	
7	LP0115040112	Hydraulic Reservoir	1	

1、 Vehicle explosion pattern



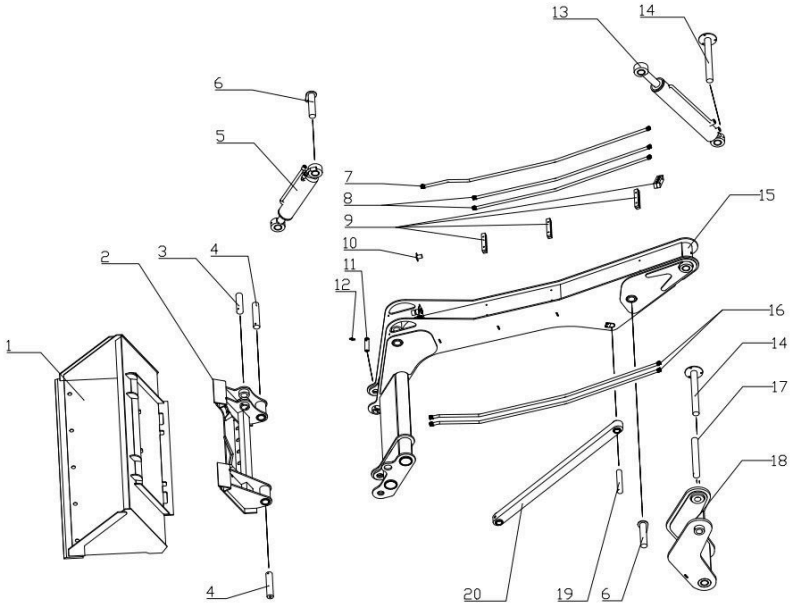
REF NO.	Part NO .	Name	Q/TY	REMARKS
1	LP0104011376	Bucket	1	
2	LP0119010080	Wheel frame assembly	1	
3	LP0111100015	Cabinet hinge	1	
4	LP0108010160	Cabinet guard net	1	
5	LP0119020191	Cabinet assembly	1	
6	LP0112020164	Rear door guard	1	
7	LP0111100010	Tire	4	
8	LP0112020165	Cabinet floor	1	

2、RS 20 working device



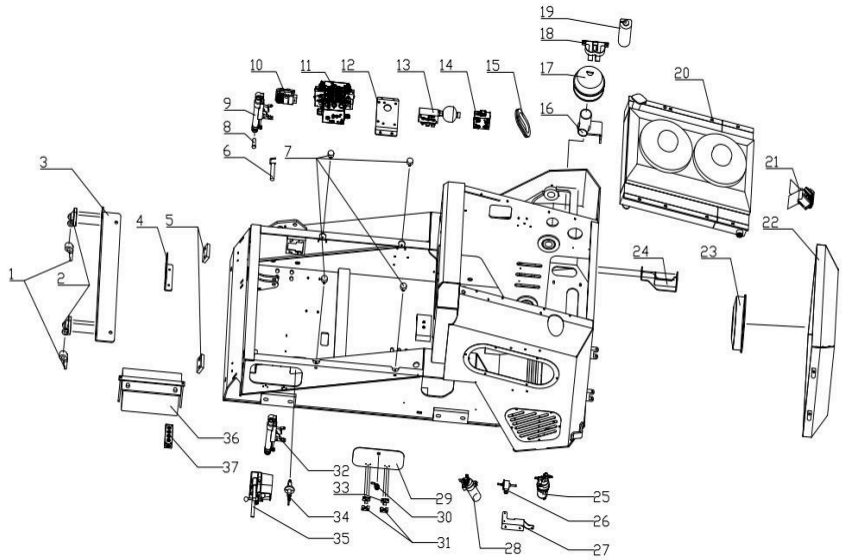
REF NO.	Part NO .	Name	Q/TY	REMARKS
1	LP0104011376	Bucket	1	
2	LP0104011375	Quick-change	1	
3	LP0603020053	Pin Shaft 50×152	1	
4	LP0603020052	Pin Shaft 50×252	2	
5	LP0115010210	Bucket Cylinder	1	
6	LP0603020049	Pin Shaft 50×205	2	
7	LP0602050058	Sliding RS20 Boom Steel Pipe - 2 Purchased	1	
8	LP0602050059	Sliding RS20 Boom Steel Pipe - 1 Purchased	2	
9	LP0603020039	Five - hole pipe clamp for boom steel pipe	4	
10	LP0604010035	Wiring harness quick connector	1	

2、RS 20 working device



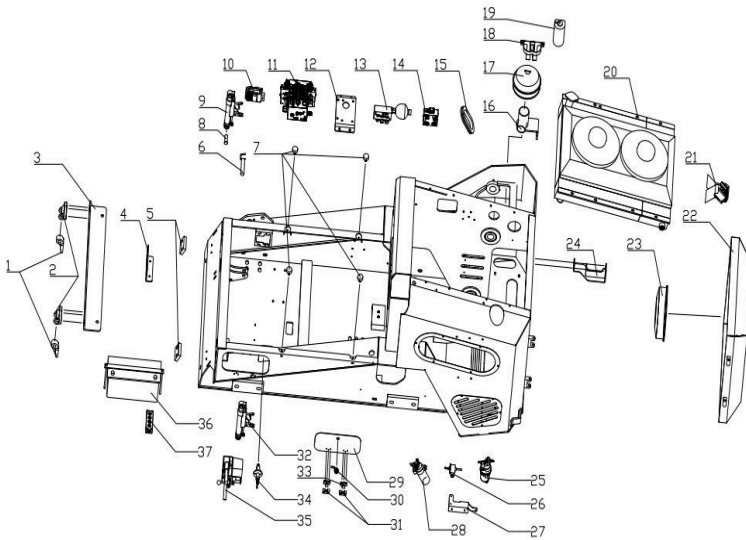
REF NO.	Part NO .	Name	Q/TY	REMARKS
11	LP0603020044	Pin Shaft 40×76	1	
12	LP0603020055	Sales shaft stopper	1	
13	LP0115010209	Boom Cylinder	1	
14	LP0603020043	Pin Shaft 50×460	2	
15	LP0605010034	Boom	1	
16	LP0602050060	Sliding RS20 Boom Steel Pipe - 3	2	
17	LP0603020048	Pin Shaft 50×347	1	
18	LP0605010035	Rocking Arm	1	
19	LP0603020050	Pin Shaft 40×402	1	
20	LP0605010036	Boom Support Linkage	1	

3、RS 20 Frame



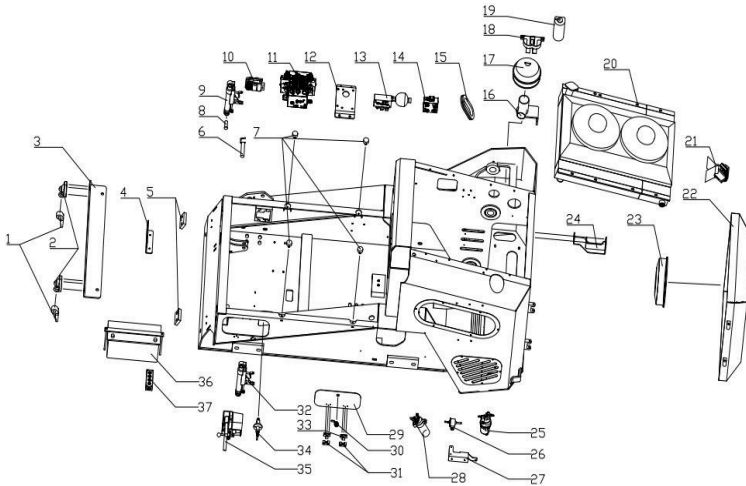
REF NO.	Part NO .	Name	Q/TY	REMARKS
1	LP0111100015	Two - hole Cab Hinge	2	
2	LP0111100015	Three - hole Cab Hinge	2	
3	LP0112020165	Cab Floor Plate	1	
4	LP0605010187	Oil Pipe Limiting Plate	1	
5	LP0111100011	Shock - absorbing Nylon	2	
6	LP0603020045	Boom Lock Pin Shaft	1	
7	LP0601010021	Rubber Shock Absorber 40×	4	
8	LP0603020046	Pin Shaft 20×45	1	
9	LP0115010212	Jack Oil Pump	1	
10	LP0106040084	Hengli Computer Board	1	

3、RS 20 Frame



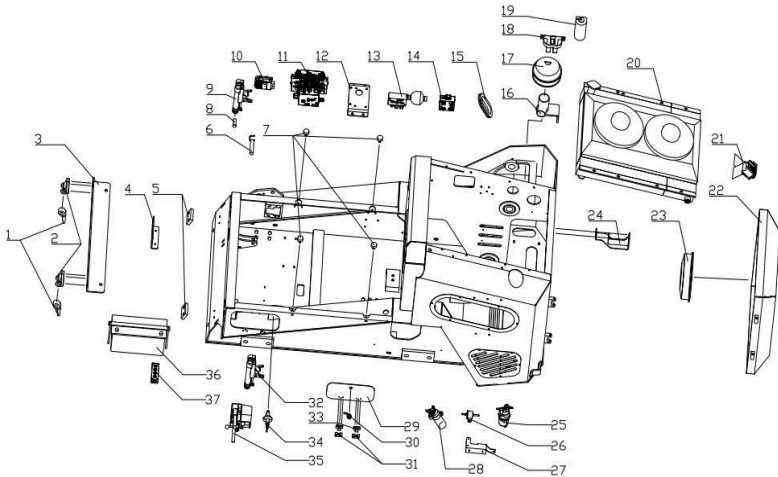
REF NO.	Part NO .	Name	Q/TY	REMARKS
11	LP0101030072	Multi - way Valve	1	
12	LP0605010188	Multi - way Valve Bracket	1	
13	LP0115030017	Electromagnetic Oil Source	1	
14	LP0115030073	Leveling Valve	1	
15	LP0601020089	Frame Rubber Guard Ring	1	
16	LP0111100014	Prefilter Connector	1	
17	LP0111100014	Air Prefilter	1	
18	LP0116012564	Kettle Fixing Clip	1	
19	LP0111080035	Water Jug	1	
20	LP0110020114	Radiator	1	

3、RS 20 Frame



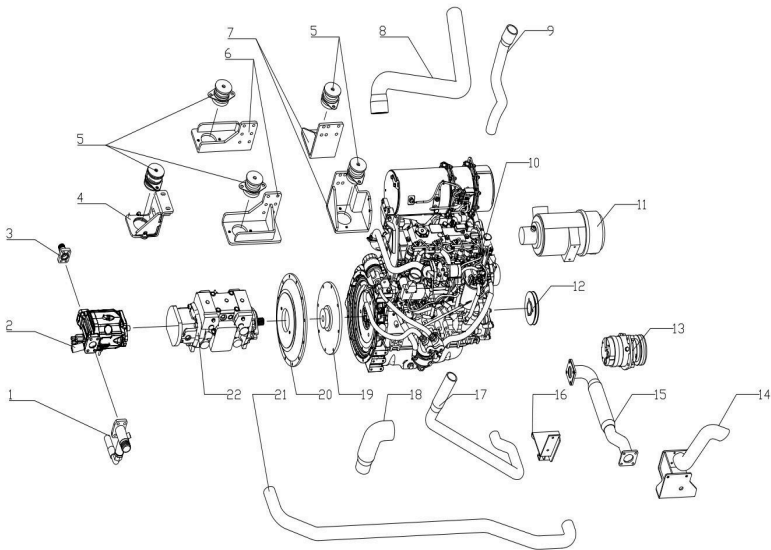
REF NO.	Part NO .	Name	Q/TY	REMARKS
21	LP0111080206	Rear Guard Lock 22×90	1	
22	LP0605010093	Rear Guard	1	
23	LP0110020114	Condenser Fan	1	
24	LP0605010201	Air Filter Intake Pipe Support Plate	1	
25	LP0606040021	Yanmar Oil-Water Separator	1	
26	LP0606040022	Yanmar Electronic Oil Control	1	
27	LP0605010189	Yanmar Oil-Water Separator	1	
28	LP0110010012	Dry Bottle	1	
29	LP0605010190	Jack Maintenance Plate	1	
30	LP0111080206	No-Tail Fuel Tank Cap Lock 20	1	

3、RS 20 Frame



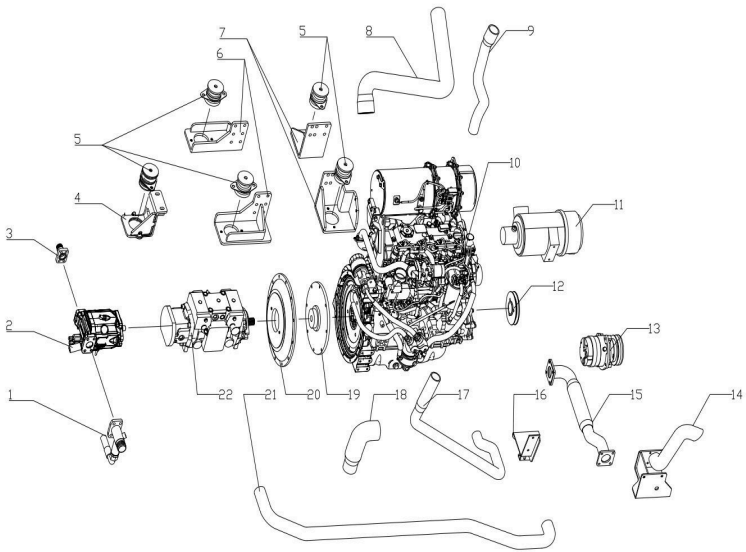
REF NO.	Part NO .	Name	Q/TY	REMARKS
31	LP0111080036	01 - Seat Hinge 01	2	
32	LP0115010211	Jack	1	
33	LP0111080036	Seat Hinge 02	2	
34	LP0106040054	Main Power Switch	1	
35	LP0115030074	Self-locking Jack Oil Pump	1	
36	LP0106010006	Battery	1	
37	LP0111080180	Two-hand operation busbar	1	

4、RS 20 Engine



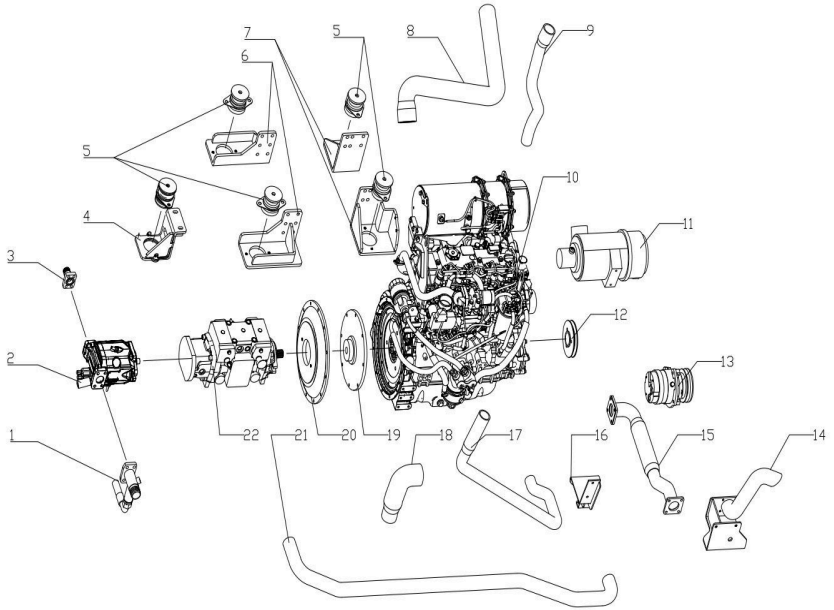
REF NO.	Part NO .	Name	Q/TY	REMARKS
1	LP0602060009	Plunger Pump Inlet Flange	1	
2	LP0101020012	Plunger Pump	1	
3	LP0602060008	Plunger Pump Outlet Flange	1	
4	LP0605010083	Plunger Pump Bracket	1	
5	LP0111020216	Engine Shock Absorb Pad	5	
6	LP0605010191	Engine Left Front Bracket	1	
7	LP0605010192	Engine Right Front Bracket	1	
8	LP0605010193	Engine Left Rear Bracket	1	

4、RS 20 Engine



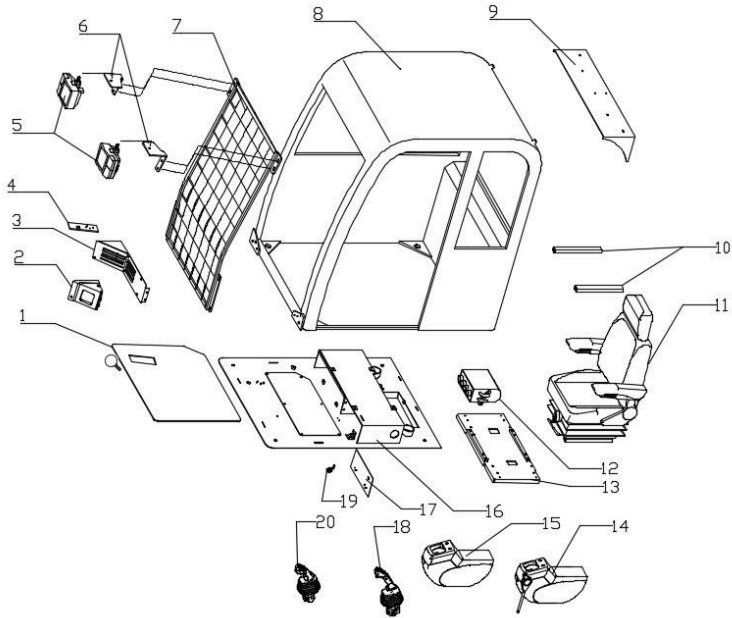
REF NO.	Part NO .	Name	Q/TY	REMARKS
9	LP0605010194	Engine Right Rear Bracket	1	
10	LP0601020040	Air Filter Intake Hose	1	
11	LP0601020043	Upper Water Pipe	1	
12	LP0107050048	Compressor	1	
13	LP0601060039	Yanmar Muffer Tailpipe	1	
14	LP0114010184	Yanmar Muffer Tailpipe Flexible	1	
15	LP0114010185	Yanmar 98C Air Filter Bracket	1	

4、 RS 20 Engine



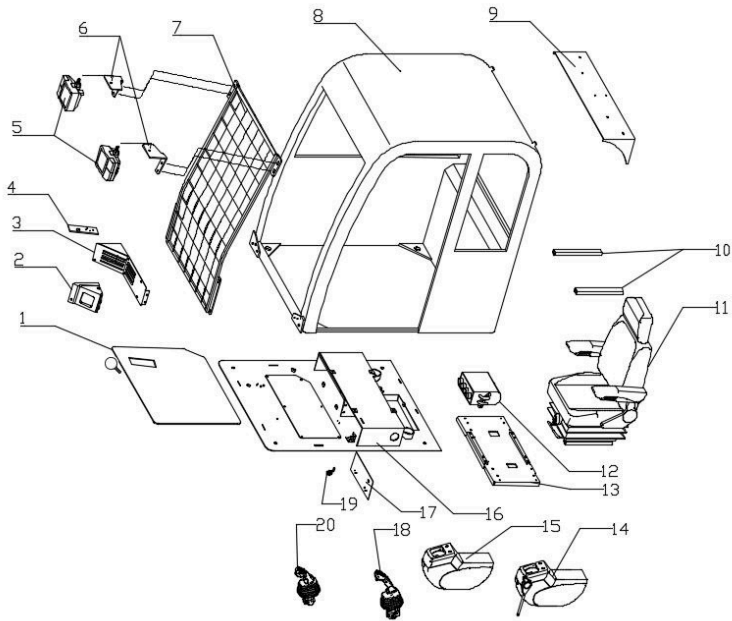
REF NO.	Part NO .	Name	Q/TY	REMARKS
16	LP0605010195	Yanmar Lower Water Pipe	1	
17	LP0601020038	Engine Intake Hose	1	
18	LP0601020042	Yanmar Coupling	1	
19	LP0102010082	Yanmar Flywheel Housing	1	
20	LP0102010081	Oil Suction Pipe	1	
21	LP0115021378	SA22VG045-00 Double Plunger	1	
22	LP0101020011	Compressor	1	

5、 RS 20 Cockpit



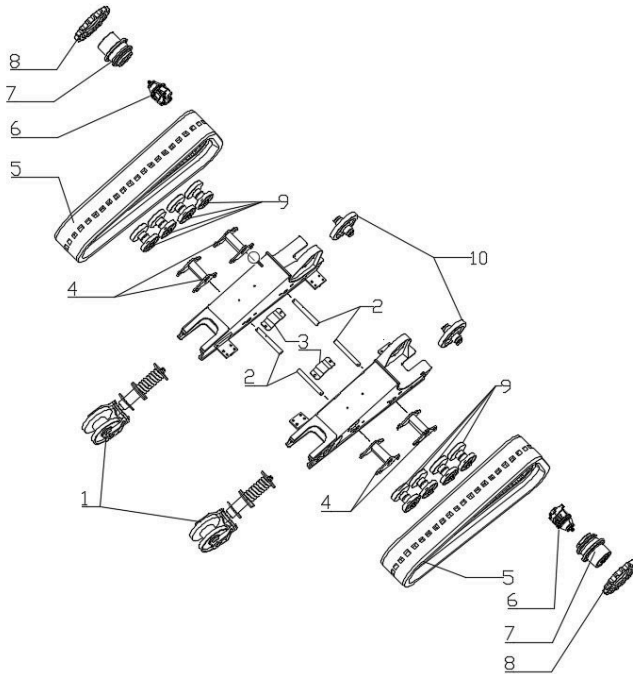
REF NO.	Part NO .	Name	Q/TY	REMARKS
1	LP0113050043	Foot pad	1	
2	LP0108010198	Cab Triangular Trim Panel	1	
3	LP0108010189	Cab Lower Ventilation Plate	1	
4	LP0601010066	Foot Throttle	1	
5	LP0106040083	Loader Headlamp	2	
6	LP0605010196	Loader Cab Front Lamp Bracket	2	
7	LP0108010160	Cab Guard Net	1	
8	LP0119020191	Loader Cab	1	
9	LP0605010197	Loader Cab Rear Lamp Bracket	1	
10	LP0108010162	720 Seat Slide Rail	2	

5、RS 20 Cockpit



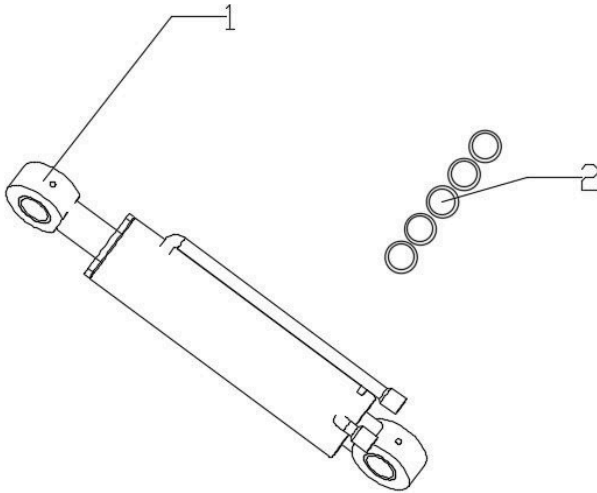
REF NO.	Part NO .	Name	Q/TY	REMARKS
11	LP0108040024	Driving seat	1	
12	LP0108010206	Cab Heater	1	
13	LP0108010165	Seat Base	1	
14	LP0112014136	Left Armrest Box	1	
15	LP0112014137	Right Armrest Box	1	
16	LP0605010089	Cab Floor Plate	1	
17	LP0605010110	Storage Box Cover	1	
18	LP0605010198	Right Handle	1	
19	LP0115030076	No-Tail Fuel Tank Cap Lock	1	
20	LP0108010163	Left Handle	1	

6、RS 20 Body walking device



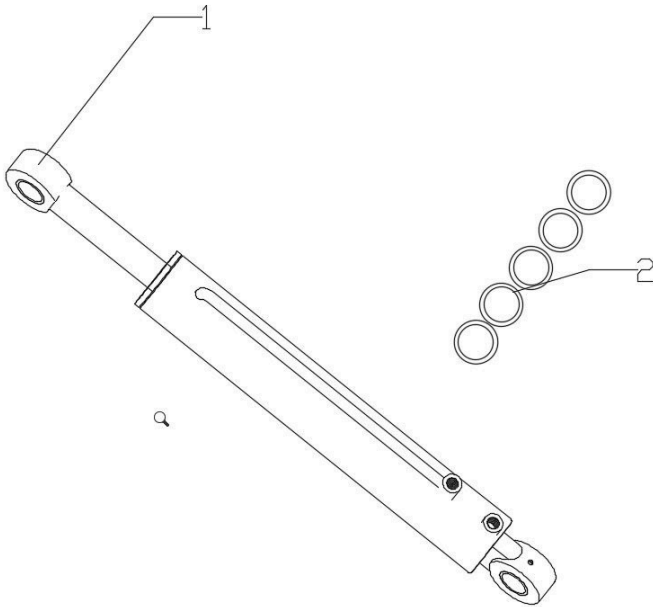
REF NO.	Part NO .	Name	Q/TY	REMARKS
1	LP0102070002	Front Idler Wheel	2	
2	LP0603020042	Pin Shaft 40×310	4	
3	LP0605010199	Track Drag Chain Plate	2	
4	LP0605010096	Track Roller Bracket	4	
5	LP0102110002	Track Chain / Crawler	2	
6	LP0602070010	Travel Motor	2	
7	LP0116030054	Reducer	2	
8	LP0601040034	Drive Sprocket / Drive	2	
9	LP0102060001	Track Roller	8	
10	LP0601040012	Rear Idler Wheel	2	

7、RS 20 Bucket cylinder



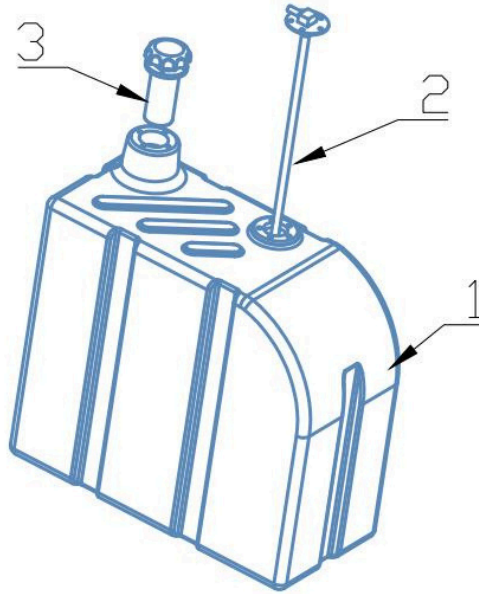
REF NO.	Part NO .	Name	Q/TY	REMARKS
1	LP0115010210	Bucket Cylinder	1	
2	LP0601020117	Bucket Cylinder Complete Sealing Ring Set	1	

8、RS 20 Boom cylinder



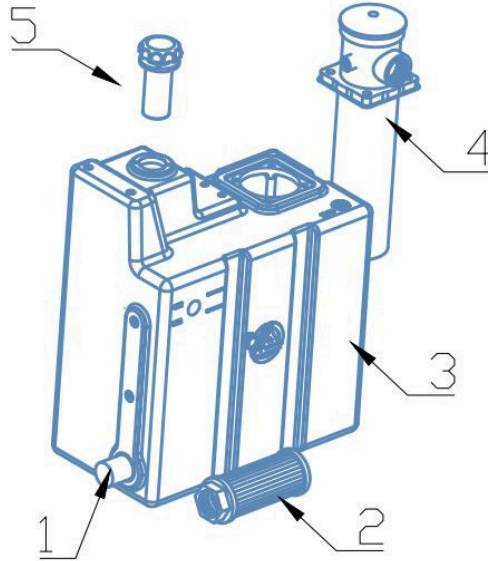
REF NO.	Part NO .	Name	Q/TY	REMARKS
1	LP0115010209	Boom Cylinder	1	
2	LP0601020118	Boom Cylinder Complete Sealing Ring Set	1	

9、RS 20 Fuel Tank Assembly



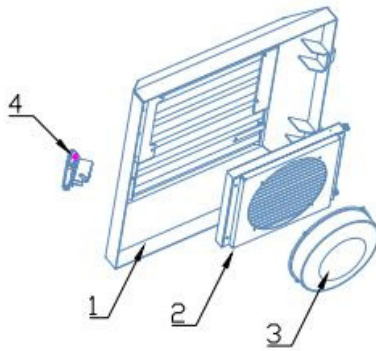
REF NO.	Part NO .	Name	Q/TY	REMARKS
1	LP0115040069	Fuel tank	1	
2	LP0111040008	Oil level sensor	1	
3	LP0111080034	Fuel tank cap	1	

10、 RS 20 Hydraulic Oil Tank Assembly



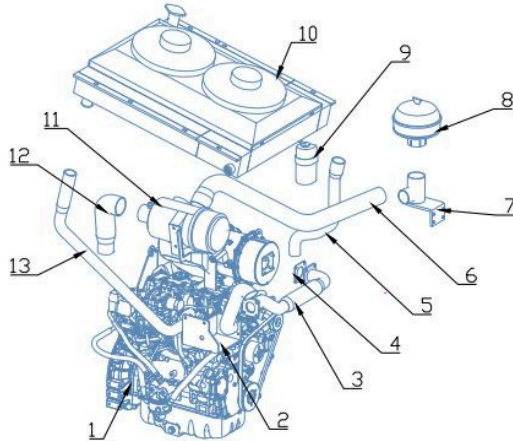
REF NO.	Part NO .	Name	Q/TY	REMARKS
1	LP0115021260	Oil outlet seat	1	
2	LP0111050006	Oil filter element	1	
3	LP0115040112	Hydraulic oil tank	1	
4	LP0115030048	Return oil filter	1	
5	LP0111080034	Fuel tank cap	1	

11、RS 20 Rear Guard Assembly



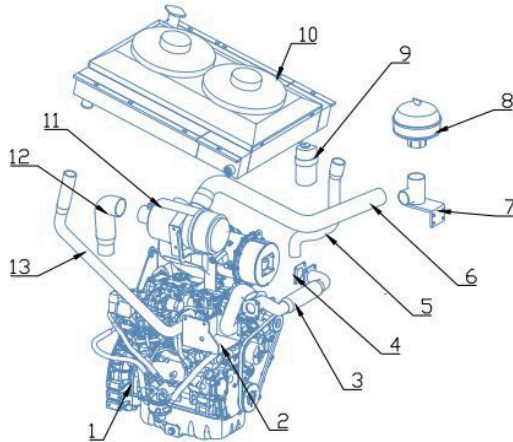
REF NO.	Part NO .	Name	Q/TY	REMARKS
1	LP0605010033	Rear door guard	1	
2	LP0601060108	Condenser	1	
3	LP0604020055	Condenser fan	1	
4	LP0111080206	Rear cover lock	1	

12、 RS 20 Cooling air intake system



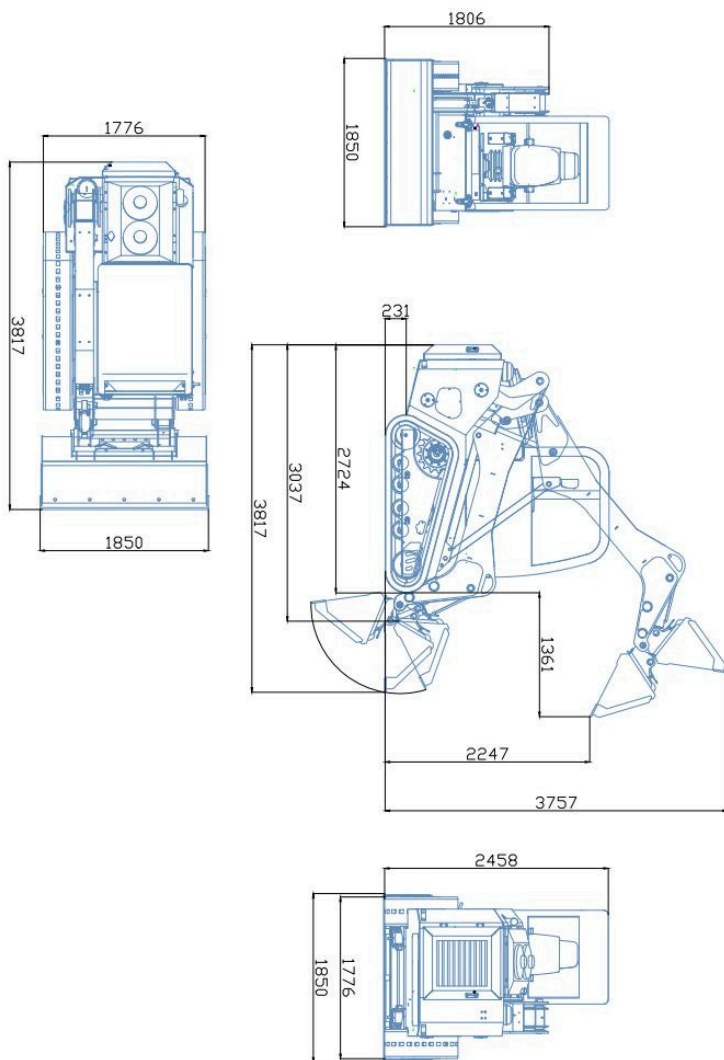
REF NO.	Part NO .	Name	Q/TY	REMARKS
1	LP0103030008	Engine	1	
2	LP0114010184	Silencer tail pipe	1	
3	LP0114010185	Soft connection	1	
4	LP0114020090	Asbestos pad	1	
5	LP0601020043	Water supply pipe	1	
6	LP0601020040	Air filter intake pipe	1	
7	LP0603020040	Pre-filter housing	1	

12、 RS 20 Cooling air intake system



REF NO.	Part NO .	Name	Q/TY	REMARKS
8	LP0111100014	Pre-filter	1	
9	LP0111080035	Secondary water tank	1	
10	LP0110020114	radiator assembly	1	
11	LP0606040018	Air filter element assembly	1	
12	LP0601020042	Engine intake manifold	1	
13	LP0601020038	Drainage pipe	1	

13、RS 20 Envelope diagram



13、RS 20 Envelope diagram

